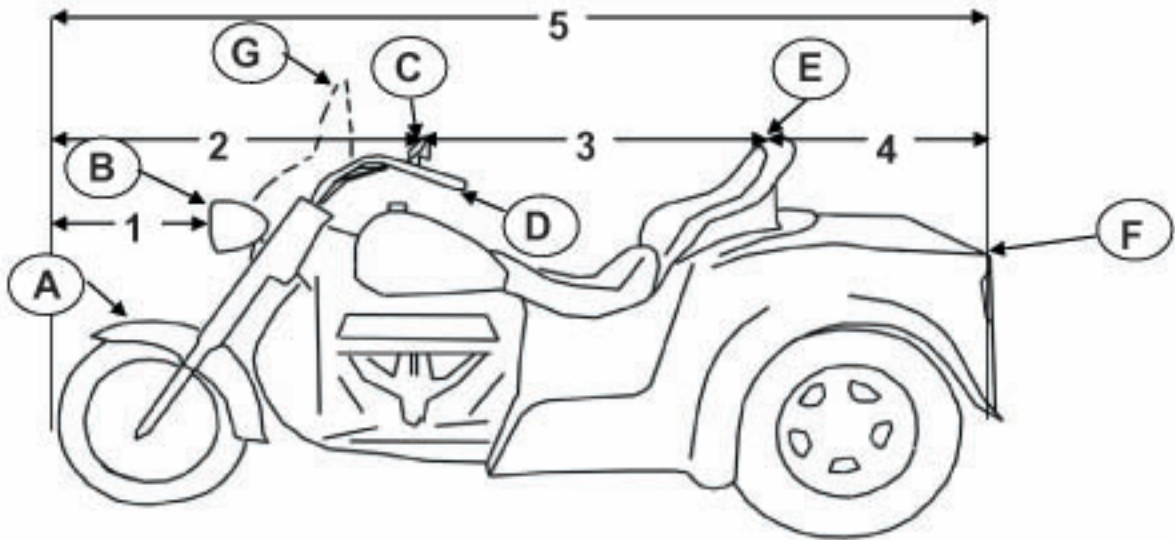


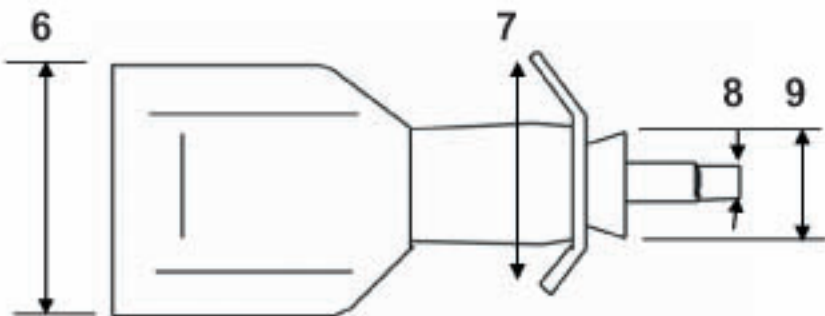
DIMENSION SHEET - TRIKE



- Lengths - Measured Horizontally**
- # 1 Front of tire to front of headlight _____
- # 2 Front of tire to mirror or handlebar _____
- # 3 Mirror or handlebar to backrest _____
- # 4 Backrest to rear of cycle _____
- # 5 Overall length _____
Should equal 1-4

- Heights - Measured from Ground**
- A Height at top of front tire _____
- B Height at top of headlight _____
- C Height at top of mirror _____
- D Height at end of handlebar _____
- E Height at top of headrest _____
- F Height at rear of cycle _____
- G Height at top of windshield if applicable _____

- #6 Width at rear of body _____
- #7 Width across handlebars _____
- #8 Width of front tire _____
- #9 Width of headlight _____



YEAR _____

MAKE _____

MODEL _____

NAME _____

Daytime phone _____

Date of order _____

A photo of the vehicle will help us make the pattern. The photo can be returned if requested.