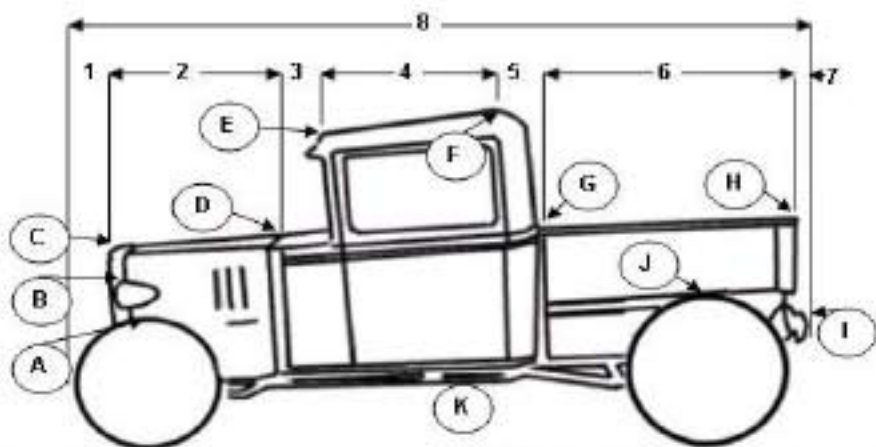


DIMENSION SHEET

**STREET ROD
PICKUP
WITHOUT FENDERS**



Lengths - Measured Horizontally

- # 1 Front of tire to front of hood _____
- # 2 Front of hood to firewall _____
- # 3 Firewall to front of roof _____
- # 4 Front of roof to rear of roof _____
- # 5 Rear of roof to front of bed _____
- # 6 Front of bed to rear of bed _____
- # 7 Rear of bed to rear of bumper _____
- # 8 Overall length _____

If you have measured correctly, the sum of # 1 through # 7 should equal # 8.

Heights - Measured from Ground

- HA Height at top of front tire _____
- HB Height at top of headlight _____
- HC Height at front of hood _____
- HD Height at top of firewall _____
- HE Height at front of roof _____
- HF Height at rear of roof _____
- HG Height at front of bed _____
- HH Height at rear of bed _____
- HI Height at rear bumper _____
- HJ Height of rear tire _____
- HK Road clearance _____

Widths, Measured Side to Side at Points Shown

- WA Width across front tires _____
- WB Width at headlights _____
- WC Width at front of hood _____
- WD Width at firewall _____
- WE Width at front of roof _____
- WF Width at rear of roof _____
- WG Width at front of bed _____
- WH Width at rear of bed _____
- WI Width at rear bumper _____
- WJ Width at rear tires _____

Vehicle Information

YEAR _____

MAKE _____

MODEL _____

Name _____

Daytime phone _____

Date of order _____

A photo of the vehicle will help us make the pattern. The photo can be returned if requested.