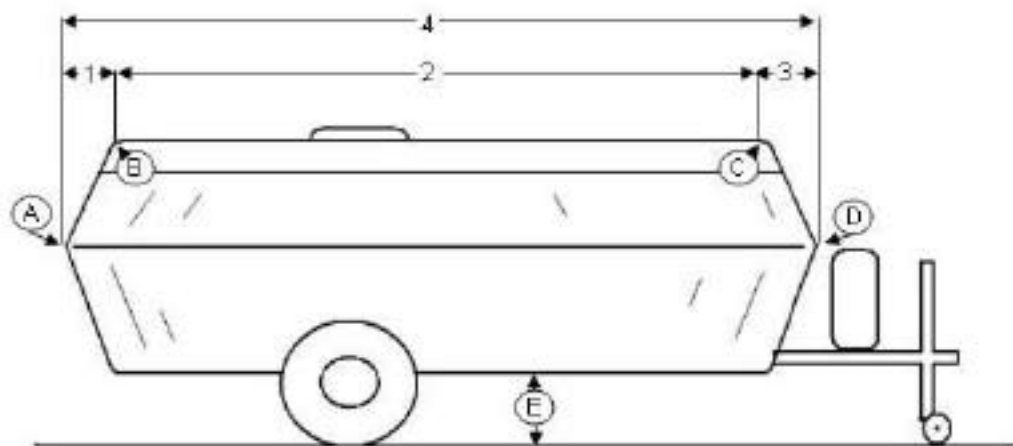


DIMENSION SHEET - FOLDING TENT TRAILER (POP-UP)



Lengths - Measured Horizontally

Heights - Measured from Ground

- 1 Rear of trailer to rear of roof _____
 - 2 Rear of roof to front of roof _____
 - 3 Front of roof to front of trailer _____
 - 4 Overall length of trailer body _____
- If measured correctly, #4 should equal #1 thru #3**

- A Height to rear of trailer _____
- B Height to rear of roof _____
- C Height to front of roof _____
- D Height to front of trailer _____
- E Ground clearance _____

Trailer Information

Widths - Measured at points shown

Year _____
 Make _____
 Model _____
 Floor Plan _____

A Width at rear of trailer _____
 B Width at rear of roof _____
 C Width at front of roof _____
 D Width at front of trailer _____

Questions (Sketch on diagram if needed)

- 1. Does the trailer have an awning? _____
 If yes, give dimension information _____
- 2. Does the trailer have an air conditioner? _____
 If yes, give dimension information _____
- 3. Does the trailer have a rear spare? _____
 If yes, give dimension information _____
- 4. Does the trailer have any other roof-mounted accessories (racks, skylights, etc.)? _____
 If yes, give dimension information _____

*A photo of the trailer will help us make the pattern.
 The photo will be returned if requested*