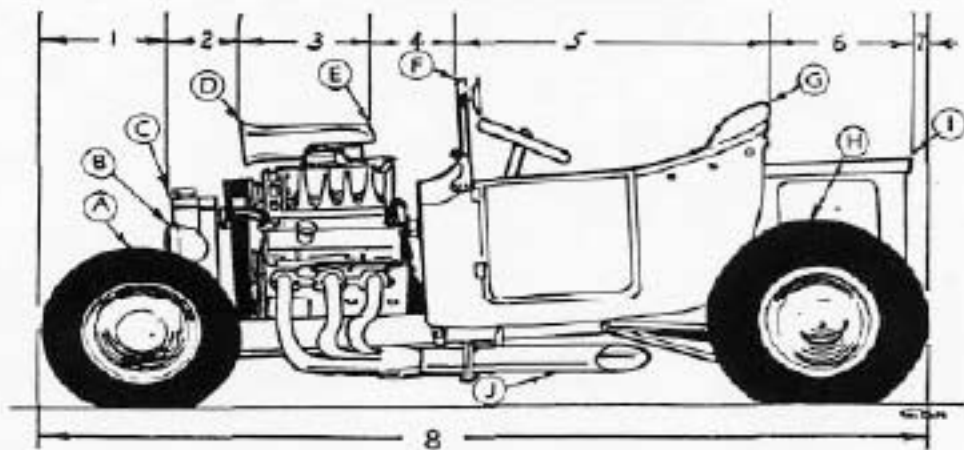


1923 Ford  
"T" Bucket  
Roadster,  
no top,  
with blower



Lengths - Measured Horizontally

- #1 Front of car to front of hood \_\_\_\_\_
- #2 Front of hood to front of hood scoop \_\_\_\_\_
- #3 Front of hood scoop to rear of scoop \_\_\_\_\_
- #4 Rear of hood scoop to top of windshield \_\_\_\_\_
- #5 Front of windshield to rear of seat \_\_\_\_\_
- #6 Rear of seatback to rear of box \_\_\_\_\_
- #7 Rear of box to rear of tire \_\_\_\_\_
- #8 Overall length, front to rear \_\_\_\_\_

If you have measured correctly, the sum of # 1  
through # 7 should equal # 8.

Heights - Measured from Ground

- HA Height of front tire \_\_\_\_\_
- HB Height at top of headlights \_\_\_\_\_
- HC Height at front of hood \_\_\_\_\_
- HD Height at front of scoop \_\_\_\_\_
- HE Height at rear of scoop \_\_\_\_\_
- HF Height at top of windshield \_\_\_\_\_
- HG Height at top of seat backrest \_\_\_\_\_
- HH Height at top of rear tire \_\_\_\_\_
- HI Height at rear of box \_\_\_\_\_
- HJ Road Clearance \_\_\_\_\_

Widths, Measured Side to Side at Points Shown

- |                                       |                                       |
|---------------------------------------|---------------------------------------|
| WA Width of car at front fender _____ | WF Width of roof at highpoint _____   |
| WB Width across front hood _____      | WG Width of roof at rear _____        |
| WC Width of scoop at front _____      | WH Width of car across fenders _____  |
| WD Width of scoop at rear _____       | WI Width of box at rear _____         |
| WE Width of roof at front _____       | WJ Width of car at rear fenders _____ |

Vehicle Information

A photo of the vehicle will help us make the pattern. The photo can be returned if requested.

MAKE \_\_\_\_\_

MODEL \_\_\_\_\_

YEAR \_\_\_\_\_

NAME \_\_\_\_\_

Daytime phone \_\_\_\_\_

Date of order \_\_\_\_\_