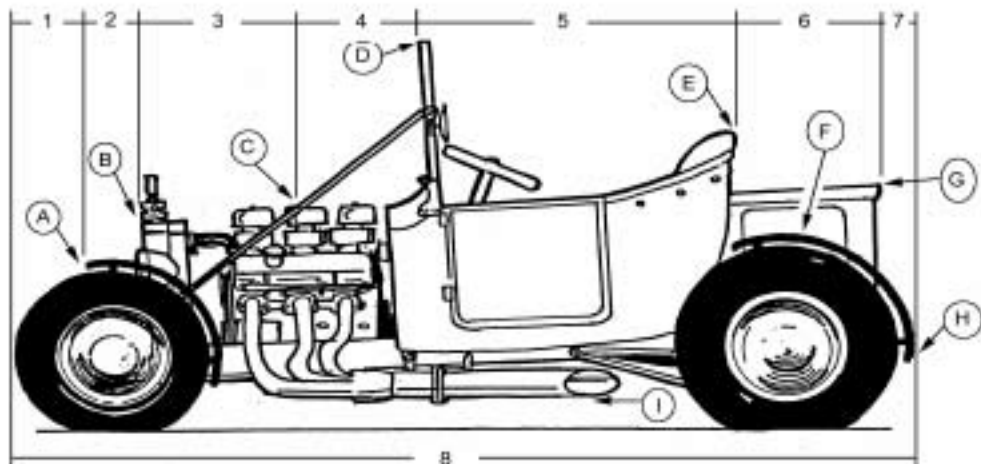


1923 Ford
"T" Bucket
Roadster,
no top,
w/rods or
straps



Lengths - Measured Horizontally

- #1 Front of car to front of fender _____
- #2 Front of fender to front of hood _____
- #3 Front of hood to rods or straps _____
- #4 Straps or rods to top of windshield _____
- #5 Front of windshield to rear of seat _____
- #6 Rear of seatback to rear of box _____
- #7 Rear of box to rear of tire _____
- #8 Overall length, front to rear _____

If you have measured correctly, the sum of # 1
through # 7 should equal # 8.

Heights - Measured from Ground

- HA Height to top of front fender _____
- HB Height to top hood _____
- HC Height at straps or rods _____
- HD Height at top of windshield _____
- HE Height at top of seat backrest _____
- HF Height at top of rear fenders _____
- HG Height at rear of box _____
- HH Height at rear of car _____
- HI Ground clearance _____

Widths, Measured Side to Side at Points Shown

- WA Width of car at front fender _____
- WB Width across front hood _____
- WC Width across straps or rods _____
- WD Width at top of windshield _____
- WE Width at top of seat backrest _____
- WF Width of car across fenders _____
- WG Width of box at rear _____
- WH Width of car at rear fenders _____

Vehicle Information

A photo of the vehicle will help us make the pattern. The photo can be returned if requested.

MAKE _____

MODEL _____

YEAR _____

NAME _____

Daytime phone _____

Date of order _____