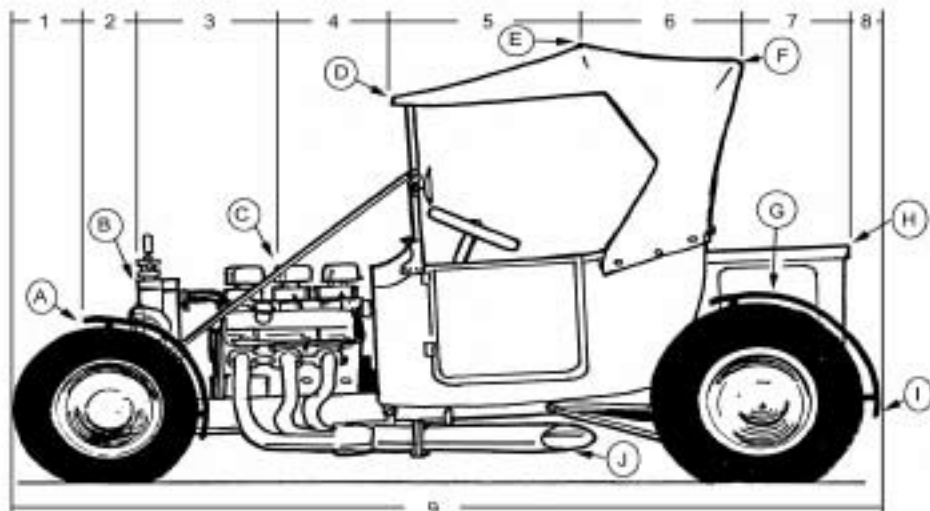


1923 Ford
"T" Bucket
Roadster,
with top &
w/rods or
straps to
windshield



Lengths - Measured Horizontally

- | | | |
|----|------------------------------------|-------|
| #1 | Front of car to front of fender | _____ |
| #2 | Front of fender to front of hood | _____ |
| #3 | Front of hood to rods or straps | _____ |
| #4 | Rods or straps to front of roof | _____ |
| #5 | Front of roof to highpoint of roof | _____ |
| #6 | Highpoint of roof to rear of roof | _____ |
| #7 | Rear of roof to rear of box | _____ |
| #8 | Rear of box to rear of car | _____ |
| #9 | Overall length, front to rear | _____ |

Heights - Measured from Ground

- | | | |
|----|-------------------------------|-------|
| HA | Height to top of front fender | _____ |
| HB | Height to top hood | _____ |
| HC | Height at straps or rods | _____ |
| HD | Height at front of roof | _____ |
| HE | Height at highpoint of roof | _____ |
| HF | Height at rear of roof | _____ |
| HG | Height at top of rear fender | _____ |
| HI | Height at rear of car | _____ |
| HJ | Ground clearance | _____ |

If you have measured correctly, the sum of # 1 through # 8 should equal # 9.

Widths, Measured Side to Side at Points Shown

- | | | | | | |
|----|------------------------------|-------|----|------------------------------|-------|
| WA | Width of car at front fender | _____ | WE | Width of roof at highpoint | _____ |
| WB | Width across front hood | _____ | WF | Width of roof at rear | _____ |
| WC | Width across straps or rods | _____ | WG | Width of car at rear fenders | _____ |
| WD | Width of roof at front | _____ | WH | Width of box at rear | _____ |
| | | | WI | Width of car at rear | _____ |

Vehicle Information

A photo of the vehicle will help us make the pattern. The photo can be returned if requested.

MAKE _____

MODEL _____

YEAR _____

NAME _____

Daytime phone _____

Date of order _____