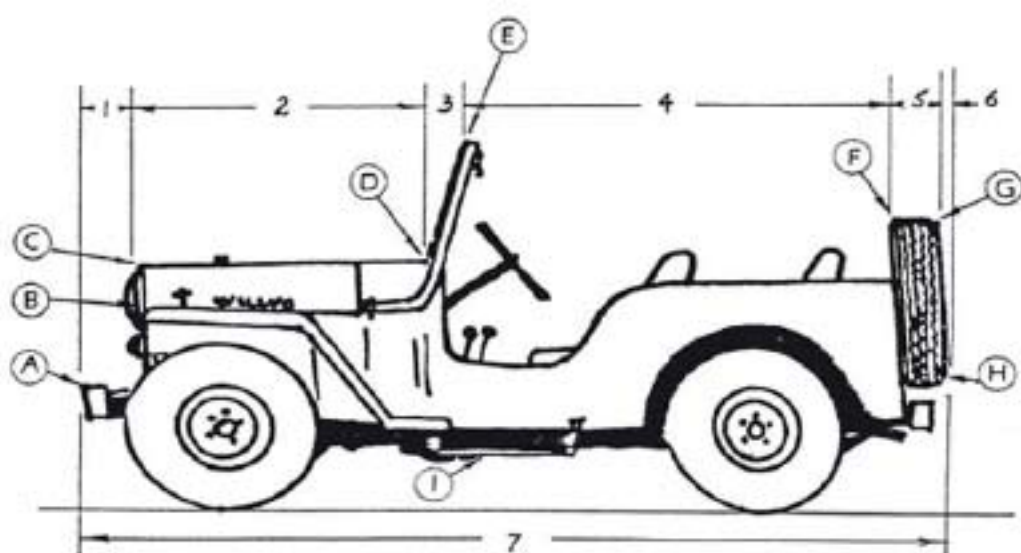


Jeep®
without Top &
with Rear Spare



Lengths - Measured Horizontally

- | | | |
|-----|---|-------|
| # 1 | Front of front bumper to front of hood | _____ |
| # 2 | Front of hood to base of windshield | _____ |
| # 3 | Base of windshield to top of windshield | _____ |
| # 4 | Top of windshield to front of spare tire | _____ |
| # 5 | Front of spare tire to rear of spare tire | _____ |
| # 6 | Rear of spare tire to rear of vehicle | _____ |
| # 7 | Overall Length | _____ |

If you have measured correctly, the sum of # 1

through # 6 should equal # 7.

Heights - Measured from Ground

- | | | |
|----|-------------------------------|-------|
| HA | Height to top of front bumper | _____ |
| HB | Height at top of front fender | _____ |
| HC | Height at front of hood | _____ |
| HD | Height at base of windshield | _____ |
| HE | Height at top of windshield | _____ |
| HF | Height at front of spare | _____ |
| HG | Height at rear of spare | _____ |
| HH | Height at top of rear bumper | _____ |
| HI | Ground clearance | _____ |

Widths, Measured Side to Side at Points Shown

- | | | | | | |
|----|-----------------------------|-------|----|----------------------------|-------|
| WA | Width at front bumper | _____ | WE | Width of top of windshield | _____ |
| WB | Width at front of fenders | _____ | WF | Width at front of spare | _____ |
| WC | Width at front of hood | _____ | WG | Width at rear of spare | _____ |
| WD | Width at base of windshield | _____ | WH | Width at rear bumper | _____ |

Draw in any options / accessories on this vehicle and note their dimensions - winches, light bars, etc.

Vehicle Information

YEAR _____

MAKE _____

MODEL _____

Name _____

Daytime phone _____

Date of order _____

A photo of the vehicle will help us make the pattern. The photo can be returned if requested.