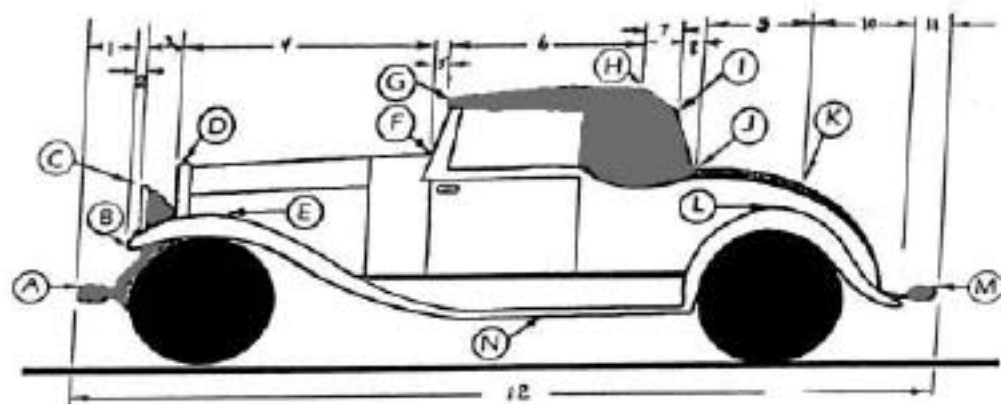


DIMENSION SHEET - EARLY 30'S ROADSTER



Lengths - Measured Horizontally		Heights - Measured from Ground	
# 1	Front bumper to forward tip of fender _____	HA	Height at "A" _____
# 2	Forward tip of fender to front of headlights _____	HB	Height at "B" _____
# 3	Front of headlights to front of hood _____	HC	Height at "C" _____
# 4	Front of hood to base of windshield _____	HD	Height at "D" _____
# 5	Base of windshield to front of roof _____	HE	Height at "E" _____
# 6	Front of roof to highpoint of roof _____	HF	Height at "F" _____
# 7	Highpoint of roof to rear of roof _____	HG	Height at "G" _____
# 8	Rear of roof to base of rear window _____	HH	Height at "H" _____
# 9	Base of rear window to midpoint of trunk _____	HI	Height at "I" _____
# 10	Midpoint of trunk to rear of fender _____	HJ	Height at "J" _____
# 11	Rear tip of fender to bumper _____	HK	Height at "K" _____
(If measure correctly, #1 through #11 Total _____)		HL	Height at "L" _____
# 12	Overall length of car, front to rear _____	HM	Height at "M" _____
		HN	Road Clearance _____

Widths, Measured Side to Side at Points Shown

WA	Width of front bumper at point "A" _____	WG	Width at front of roof _____
WB	Width of front of car at point "B" _____	WH	Width at highpoint of roof _____
WC	Width of headlights at point "C" _____	WI	Width at rear of roof _____
WD	Width of front of hood at point "D" _____	WJ	Width at base of rear window _____
WE	Width at highpoint of front fenders _____	WK	Width at midpoint of trunk _____
WF	Width at base of windshield _____	WL	Width at rear fenders _____
		WM	Width at rear bumpers _____

Vehicle Information

A photo of the vehicle will help us make the pattern. The photo can be returned if requested.

YEAR _____ MAKE _____

MODEL _____ BODY STYLE _____

NAME _____

Daytime phone _____

Date of order _____