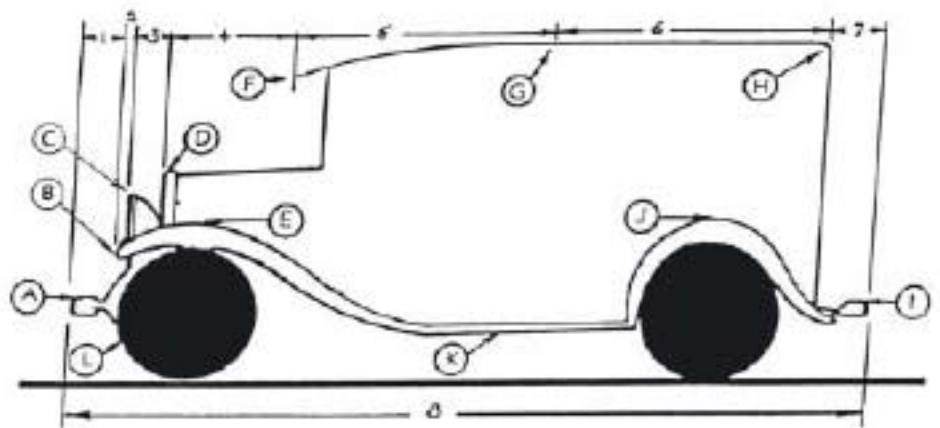


**DIMENSION SHEET
DEPOT HACK**



Lengths - Measured Horizontally

Heights - Measured from Ground

- #1 Front of car to front of fender _____
- #2 Front of fender to front of headlight _____
- #3 Front of headlight to front of hood _____
- #4 Front of hood to front edge of roof _____
- #5 Front of roof to highpoint of roof _____
- #6 Highpoint of roof to rear of roof _____
- #7 Rear of roof to rear of bumper _____
- #8 Overall length _____

- HA Height at "A" _____
- HB Height at "B" _____
- HC Height at "C" _____
- HD Height at "D" _____
- HE Height at "E" _____
- HF Height at "F" _____
- HG Height at "G" _____
- HH Height at "H" _____
- HI Height at "I" _____
- HJ Height at "J" _____
- HK Road Clearance _____

If you have measured correctly, the total of #1 through #7 should equal #8

Total

Widths, Measured Side to Side at Points Shown

- WA Width across bumpers at "A" _____
- WB Width across fenders at "B" _____
- WC Width across headlights at "C" _____
- WD Width across hood at "D" _____
- WE Width across fenders at "E" _____

- WF Width across roof at "F" _____
- WG Width across roof at "G" _____
- WH Width across roof at "H" _____
- WI Width across rear bumper _____
- WL Width across tires at "L" _____

Vehicle Information

A photo of the vehicle will help us make the pattern. The photo can be returned if requested.

YEAR _____

MODEL _____

MAKE _____

BODY STYLE _____

NAME _____

Daytime phone _____

Date of order _____