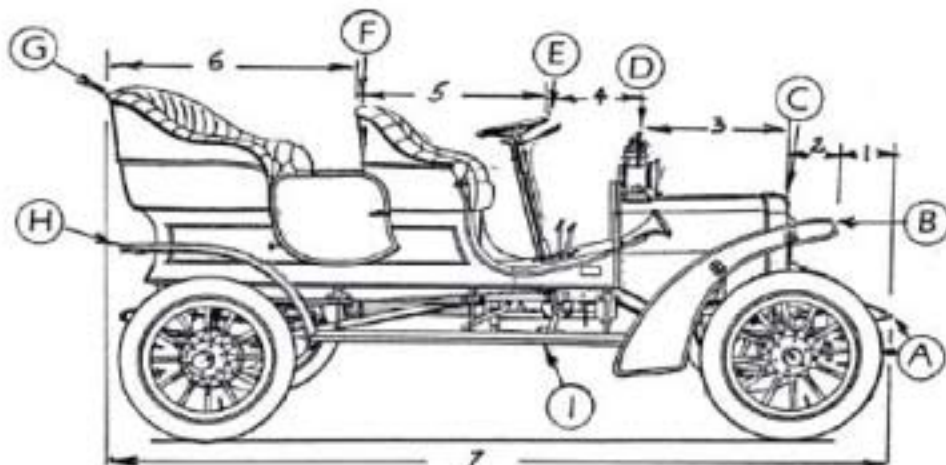


**DIMENSION SHEET
OPEN TONNEAU**



Lengths - Measured Horizontally

Heights - Measured from Ground

- # 1 Front of car to front of fender _____
- # 2 Front of fender to front of cowl _____
- # 3 Front of cowl to center of light _____
- # 4 Center of light to steering wheel _____
- # 5 Front of steering wheel to top of front seat _____
- # 6 Top of front seat to top of rear seat _____
- # 7 Overall length of car _____

- HA Height at "A" _____
- HB Height at "B" _____
- HC Height at "C" _____
- HD Height at "D" _____
- HE Height at "E" _____
- HF Height at "F" _____
- HG Height at "G" _____
- HH Height at "H" _____
- HI Road Clearance _____

If you have measured correctly, the total of #1 through #6 should equal #7

Total _____

Widths, Measured Side to Side at Points Shown

- WA Width of front tires at point "A" _____
- WB Width of front fenders at point "B" _____
- WC Width of cowl at point "C" _____
- WD Width across lights at point "D" _____

- WE Width of car at steering wheel _____
- WF Width at back of front seat _____
- WG Width at back of rear seat _____
- WH Width of car at rear fenders _____

Vehicle Information

A photo of the vehicle will help us make the pattern. The photo can be returned if requested.

YEAR _____

MODEL _____

MAKE _____

BODY STYLE _____

NAME _____

Daytime phone _____

Date of order _____